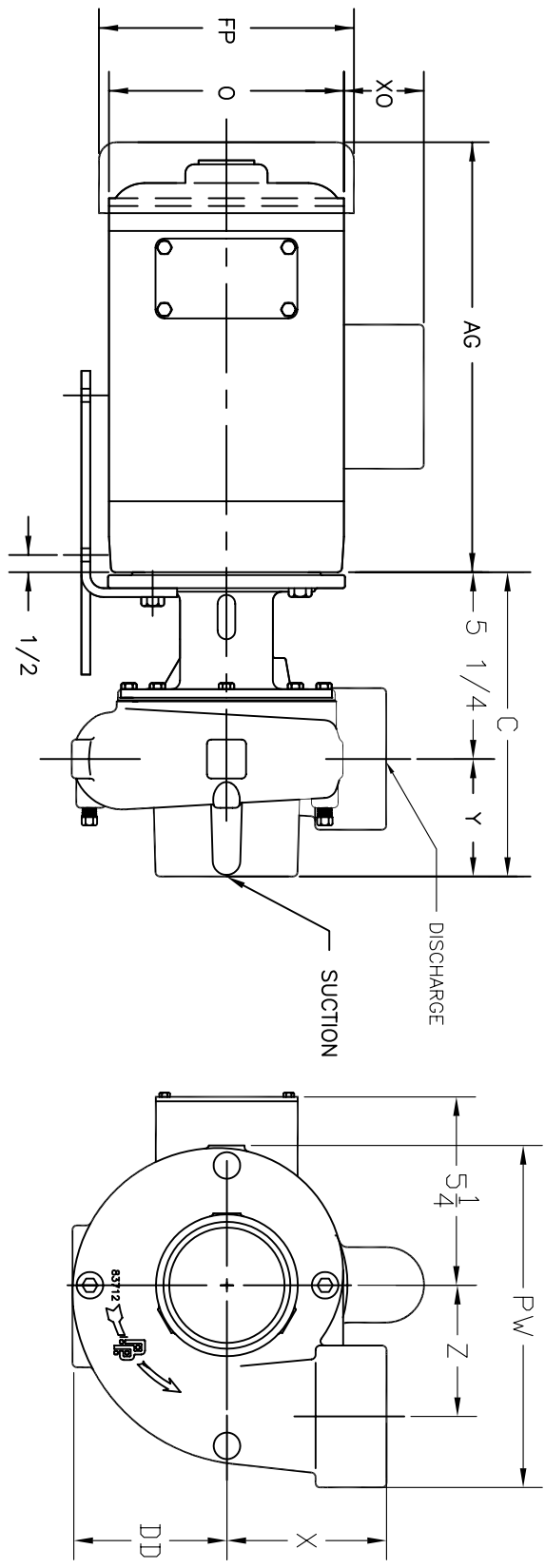


DESCRIPTION  
RC200/300SS CLOSE COUPLED MOTOR PUMP ASSEMBLY

REF. NO.  
0-RCSSH

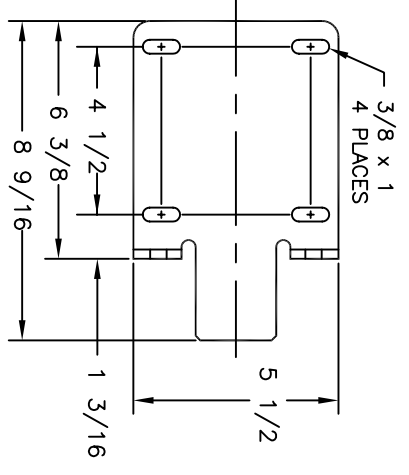
DATE  
4/4/06

REV.  
-



NOTE:  
MOTOR DIMENSIONS WILL VARY BY MODEL AND MAKE,  
DIMENSIONS ARE TO BE USED FOR REFERENCE ONLY.

MOTOR END DIMENSIONS						
HP	RPM	FRM	AG	FP	O	XO
1/4	1800	56C	7 3/4	6 1/8	5 3/8	2 1/16
1/3	1800	56C	8 1/4	6 1/8	5 3/8	2 1/16
1/2	1800	56C	8 3/4	6 1/8	5 3/8	2 1/16
1/3	3600	56C	8 1/2	6 1/8	5 3/8	2 1/16
1/2	3600	56C	8 3/4	6 1/8	5 3/8	2 1/16
3/4	3600	56C	9 1/4	6 1/8	5 3/8	2 1/16
1	3600	56C	9 3/4	6 1/8	5 3/8	2 1/16
1 1/2	3600	56C	10 1/2	7 3/16	6 7/8	2 1/4
2	3600	56C	11 1/8	7 3/16	6 7/8	2 1/4
3	3600	56C	12 3/8	7 3/16	6 7/8	2 1/4
5	3600	184C	13 5/8	8 1/2	7 7/8	2 1/4



NOTE:  
1. MOTOR DIMENSIONS WILL VARY BY MODEL AND MAKE,  
DIMENSIONS ARE TO BE USED FOR REFERENCE ONLY.  
2. FOR ENGINEERING PURPOSES, PUMP RC300  
HAS BEEN USED TO CREATE DRAWING.  
3. ALL DIMENSIONS HAVE BEEN ROUNDED TO  
THE NEAREST 1/8 INCH

PUMP END DIMENSIONS								
C	Y	PW	Z	X	DD	SUCTION	DISCHARGE	
RC200	8 1/8	2 7/8	7 1/8	2 1/2	3 3/4	3 1/2	2" NPT	2" NPT
RC300	8 9/16	3 5/16	9 5/8	3 11/16	4 1/2	4 3/8	3" NPT	3" NPT

FACTORY FAX TRANSMITTAL DRAWING



#1 Pump Way P.O. Box Q  
Sonoma, CA 95476 (707) 938-8441  
707-FAX 938-0764